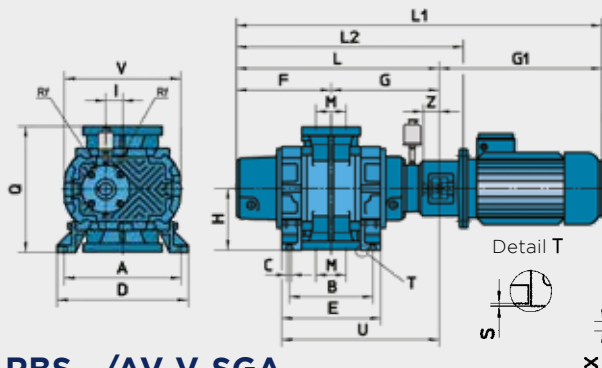


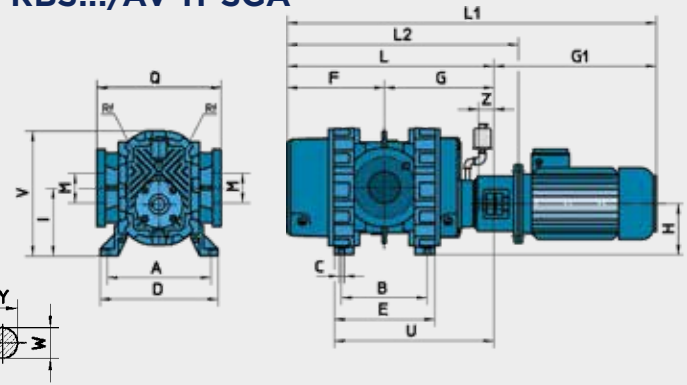
# Technical Data

## Overall Dimensions

### RBS.../AV-V-SGA



### RBS.../AV-H-SGA



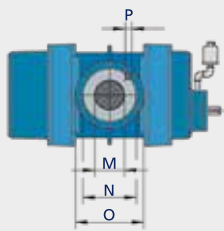
### RBS.../AV-V-SGA

Type size (mm)	A	B	C	D	E	F	G	G1	H <sub>mm-0.5</sub>	I	L	L1	L2	M	Q	S	U	V	W	Z	X	Y	KW	Motor	Weight kg
35	295	215	12	331	251	243	266	299	160	42.5	509	806	561	80	319	1	391	295	24	40	8	27	1.5	90/S2	98
45	295	275	12	331	311	273	296	324	160	42.5	569	893	621	80	319	1	451	295	24	40	8	27	2.2	90/L2	111
65	340	341	14	385	387	340	361	410	185	53.5	701	1111	768	150	369	1	555	345	28	60	8	31	4	112/M2	185
85	370	431	18	420	482	405	431	450	225	67.5	836	1286	924	150	449	1	671	415	32	80	10	35	5.5	132/S2	295
105	430	501	18	486	557	463	483	450	265	84	946	1396	1060	200	529	1	771	522	38	80	10	41	7.5	132/S2	550
125	550	590	22	640	646	528	594	450	300	106	1122	1572	1205	250	599	1	917	618	42	110	12	45	7.5	132/S2	656
145	680	747	26	770	805	641	704	755	340	135	1345	2100	1463	300	719	1	1098	790	55	110	16	59	18.5	180/M4	1160

### RBS.../AV-H-SGA

Type size (mm)	A	B	C	D	E	F	G	G1	H <sub>mm-0.5</sub>	I	L	L1	L2	M	Q	S	U	V	W	Z	X	Y	KW	Motor	Weight kg
35	266	215	12	302	251	243	266	299	132	175	509	808	561	80	318	1	391	320	24	40	8	27	1.5	90/S2	96
45	266	275	12	302	311	273	296	324	132	175	569	893	621	80	318	1	451	320	24	40	8	27	2.2	90/L2	109
65	283	341	14	328	387	340	361	410	160	213	701	1111	768	150	368	1	555	385	28	60	8	31	4	112/M2	182
85	325	431	18	375	482	405	431	450	180	247	836	1286	924	150	448	1	671	455	32	80	10	35	5.5	132/S2	291
105	392	501	18	448	557	463	483	450	200	284	946	1396	1060	200	528	1	771	545	38	80	10	41	7.5	132/S2	546
125	435	590	22	526	646	528	594	450	250	356	1122	1572	1205	250	598	1	917	670	42	110	12	45	7.5	132/S2	650
145	570	747	26	640	805	641	704	755	280	135	1345	2100	1463	300	718	1	1098	815	55	110	16	59	18.5	180/M4	1152

## Drilling for flat flanges PN10 UNI 2236



### PN10 UNI 2236

M - DN	N	O	P	HOLES	
80	mm	160	200	18	4
100	mm	180	230	18	8
150	mm	240	285	23	8
200	mm	296	340	23	8
250	mm	350	405	24	12
300	mm	400	475	24	12

## Performances

RBS/AV Blower size	BLOWER THEORETICAL SUCTION CAPACITY m <sup>3</sup> /h		DIFFERENTIAL PRESSURE MAX mbar(a)	MOTOR POWER kW
	3000 RPM	3600 RPM		
35	360	430	130	1.5
45	500	600	140	2.2
65	970	1165	90	4.0
85	2125	2550	80	5.5
105	3815	4575	55	7.5
125	7380	8855	45	11
145	7833	9400	45	18.5